

---

## About Legacy Lanzar Hbp212/Hbp210 SubWoofer Systems

---

Congratulations

You have just purchased one of our high quality Lanzar Subwoofer Systems, Lanzar Hbp212/Hbp210 Subwoofer Systems is carefully designed & manufactured for vehicle use. They could deliver consistent and high performance

---

### The General Features of Lanzar Hbp212/Hbp210 SubWoofer Systems

---

Dual 12" Bandpass Subwoofer System

Contains Two 12" Subwoofers

Non-Press Paper Cone With Foam Edge

2.5" Aluminum Vociie Coil

Impedance: 4 Ohm

Plexiglass Front Window

Double Jet-port

Quick Connect Terminal

Dual 10" Bandpass Subwoofer System

Contains Two 10" Subwoofers

Non-Press Paper Cone With Foam Edge

2.5" Aluminum Vociie Coil

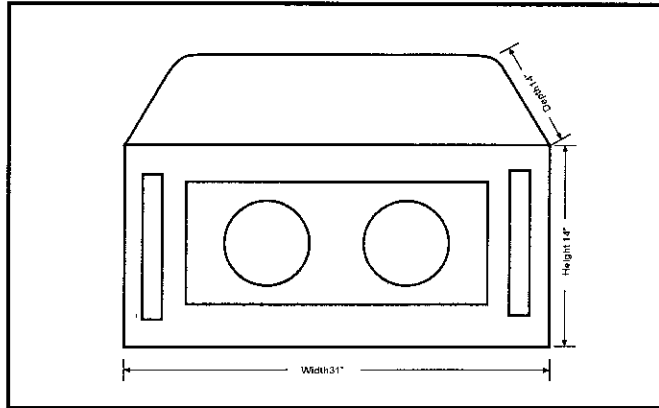
Impedance: 4 Ohm

Plexiglass Front Window

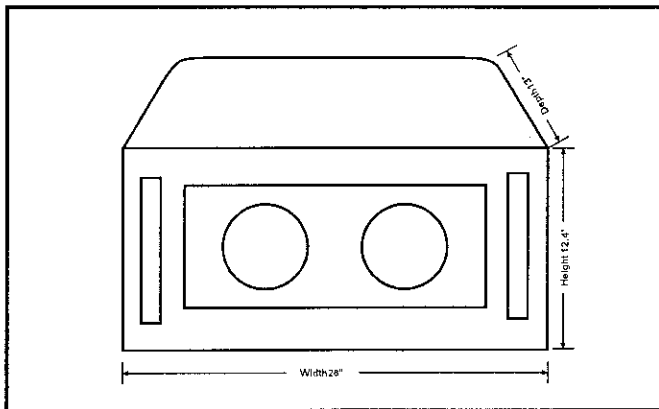
Double Jet-port

Quick Connect Terminal

# HBP212



# HBP210



FEATURESD	HBP212	HBP210
Woofer Size	12"	10"
Power Handling(Peak)	1200W	1000W
Frequency Response	37Hz-1k Hz	37Hz-1k Hz
Woofer Used	HBP212	HBP210
Ports	2	2
Dimensions	14"x31"x14"	12.4"x28"x13"

---

## MANUFACTURER'S LIMITED TWO YEAR WARRANTY

---

LANZAR RNC. warranties this unit to be free from defective material or workmanship and will repair or replace this unit or any parts belonging to this unit. only if proven that after normal use it was defective within two(2) years from the date of original purchase.

The item, when sent in for service should be accompanied by proof of purchase.

Our obligation under this warranty is limited to the repairing or replacing at our discretion, the defective instrument or any part there of when it is returned, transportation must be prepaid to the legacy Service Center at the address below. The return shipping fees are as follows if the entire enclosure is sent in there will be a fee of \$ 20.00 for return shipping, however we would suggest you would return only the defective speakers if that \$10.00. Be advised we are not responsible for cosmetic damage of the unit.

this, warranty will be considered void, if the unit has been tampered in a commercial vehicel. This warranty does not cover accidental damage. All payment accompanying defective units should be by US money order, or any other payment option must be authorized by out service center.

Send your unit to:

LANZAR SERVICE CENTER  
1600-63<sup>RD</sup> Street  
Brooklyn, New York 11204  
1-718-236-8000  
1-800-444-5671  
[www.lanzar.com](http://www.lanzar.com)

### IMPORTANT

Pack carefully in original carton if possible. We are not responsible for damage incurred in returning items for repair. A letter stating your exact street address, daytime phone number, and a brief statement describing the problem you are experiencing to ensure proper repair of the unit in question.